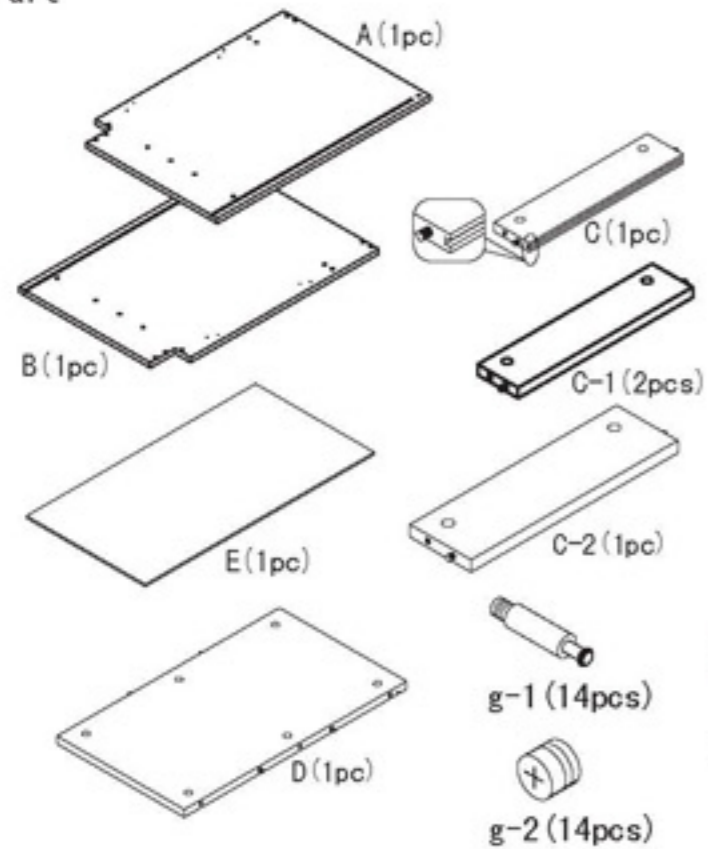

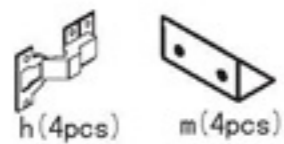


SB30—SB36 / VSB24—VSB36

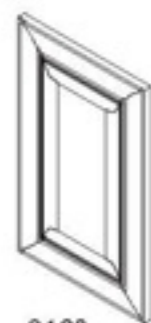
Part



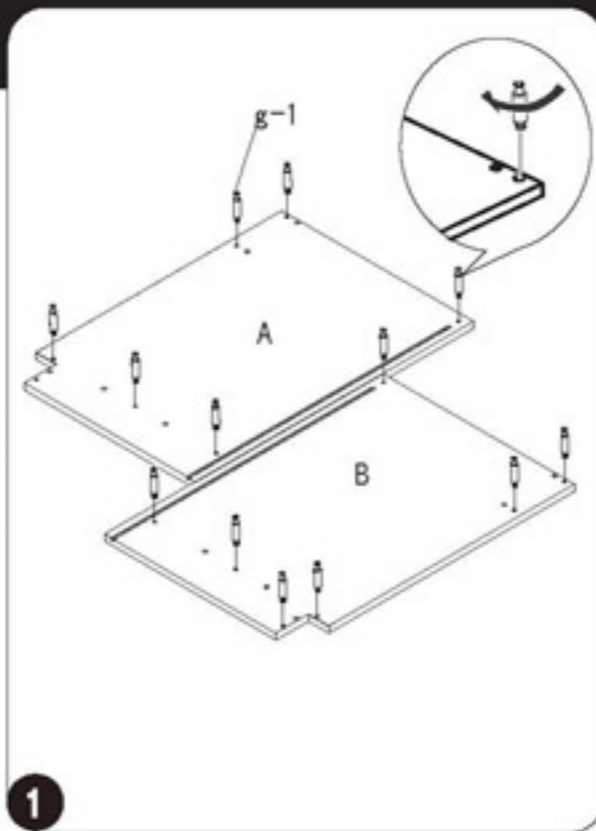
Ⓐ  $\phi 3.5 \times 18$ (16+1pcs)



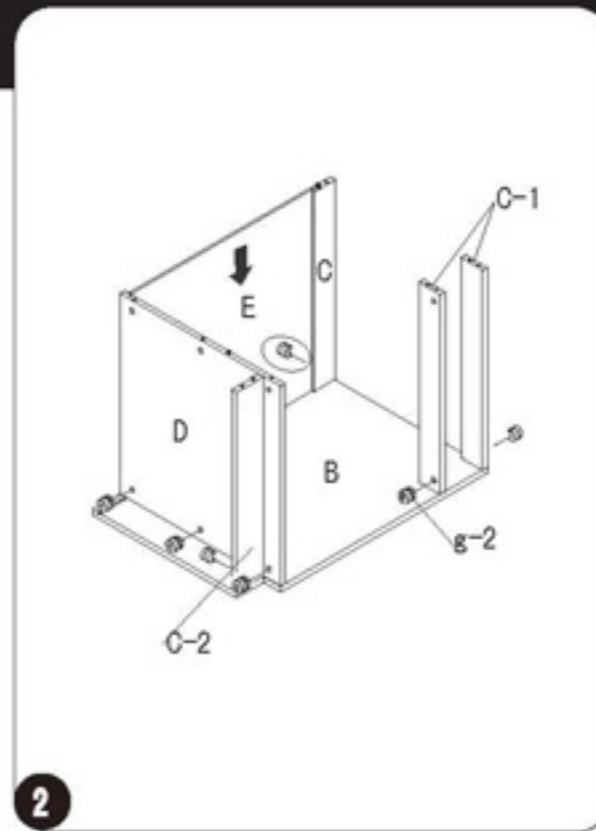
In seperated box: G(2pcs) Door



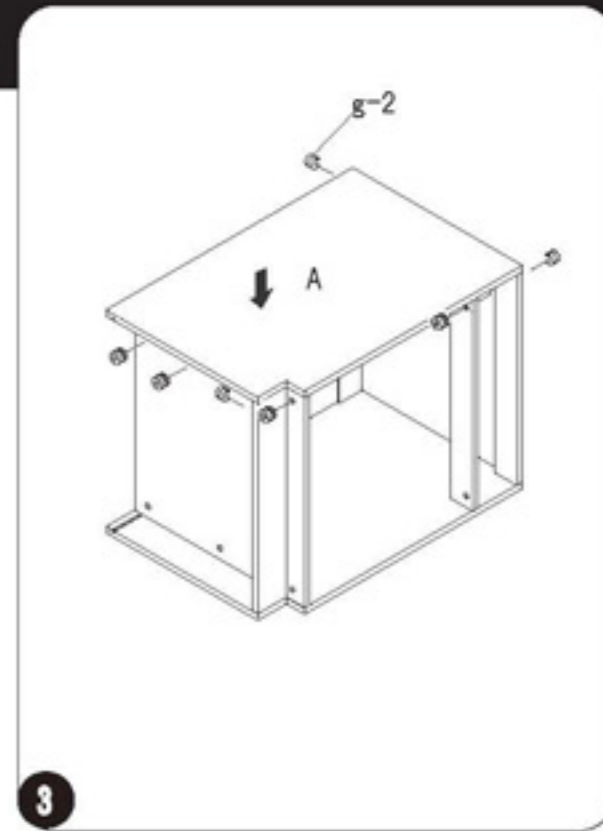
S1C8



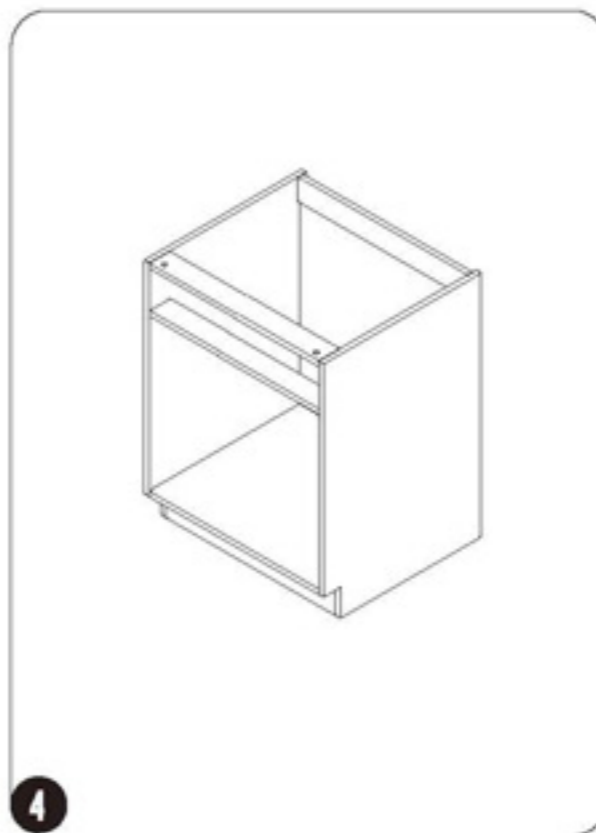
1



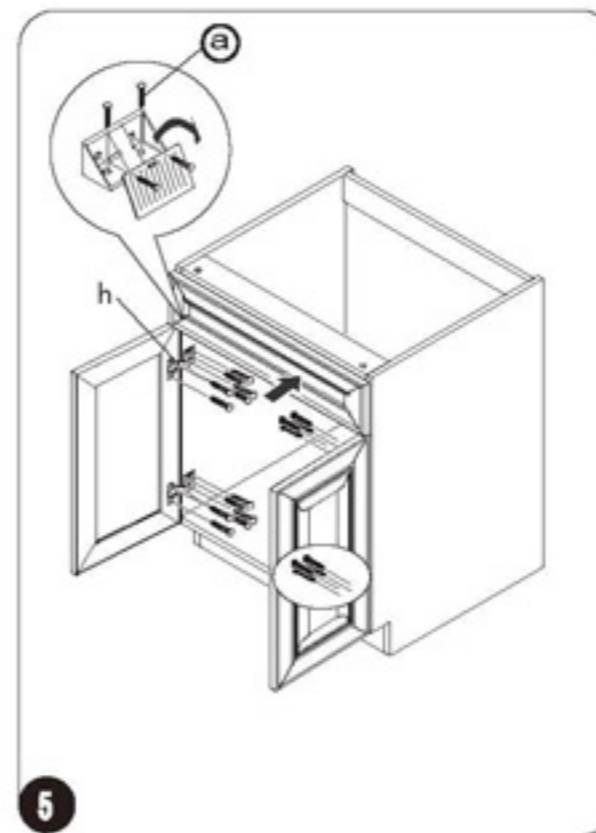
2



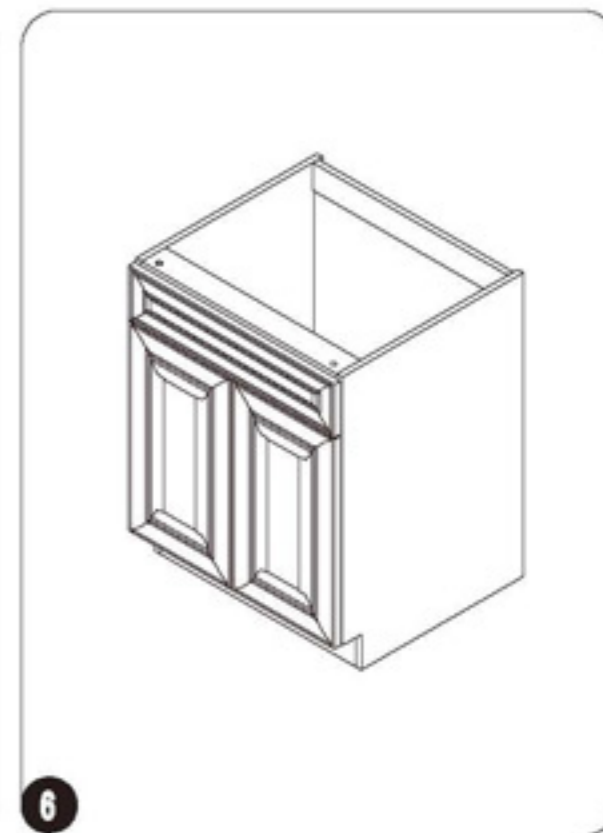
3



4



5



6