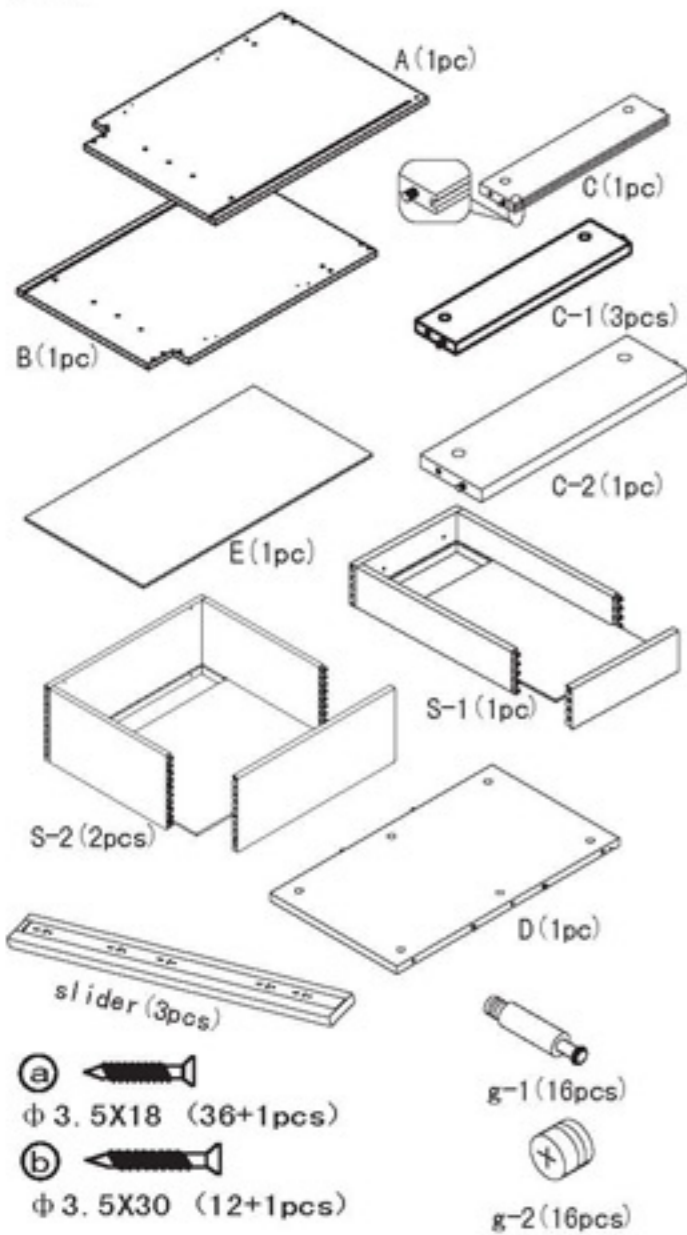
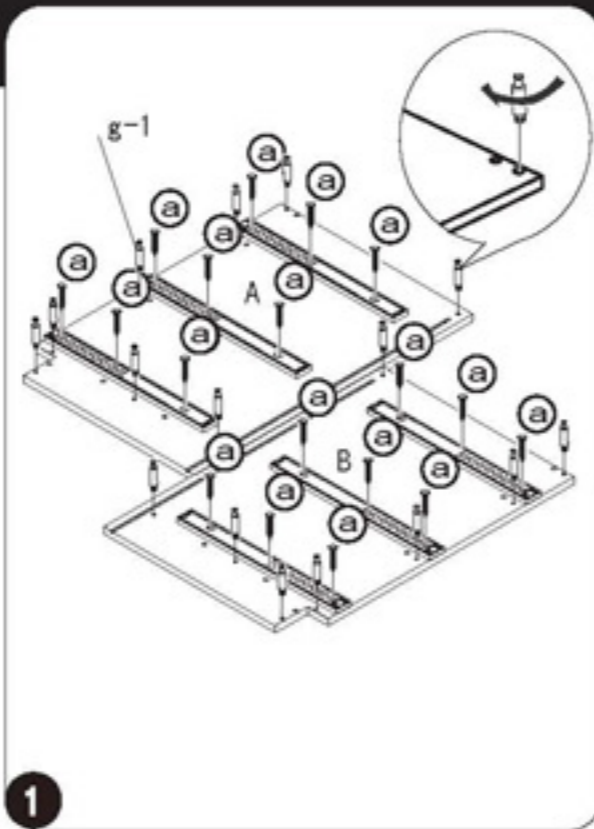


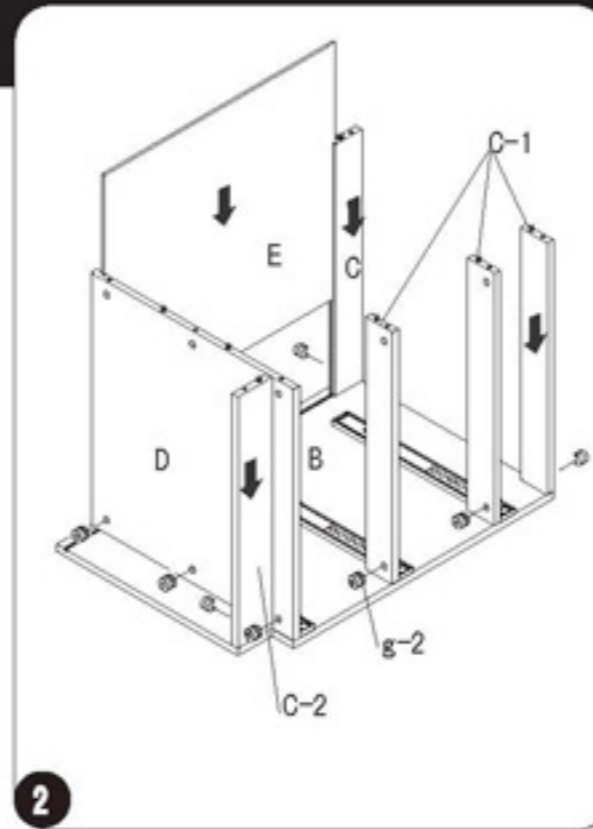
Part



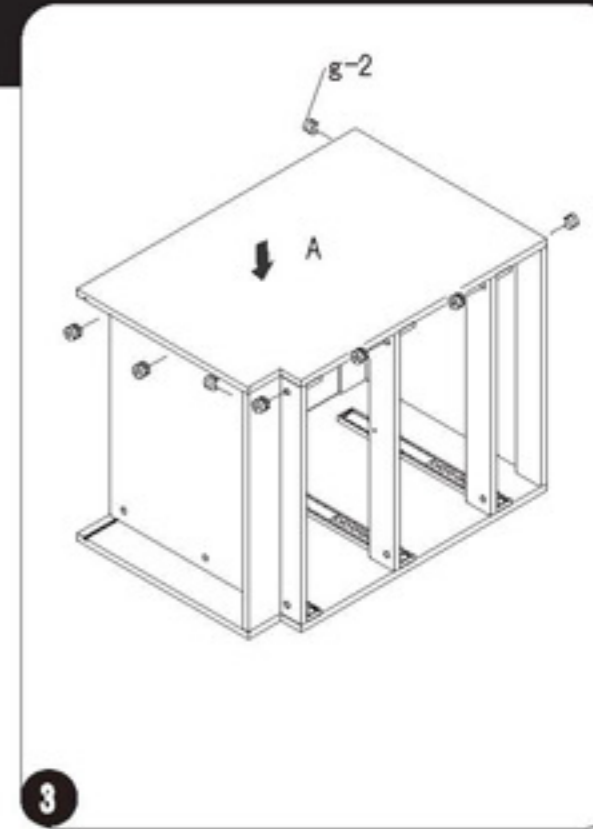
In seperated box:Drawer Fronts(3pcs)



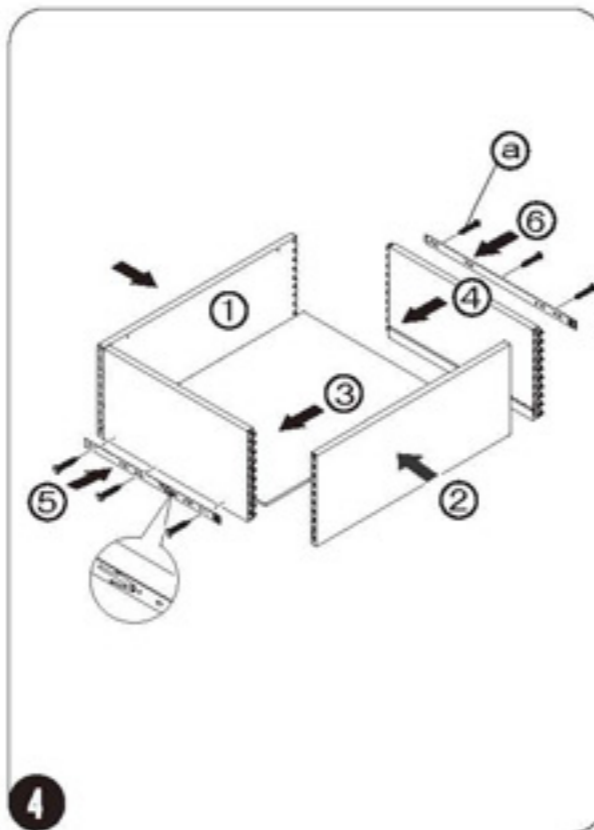
1



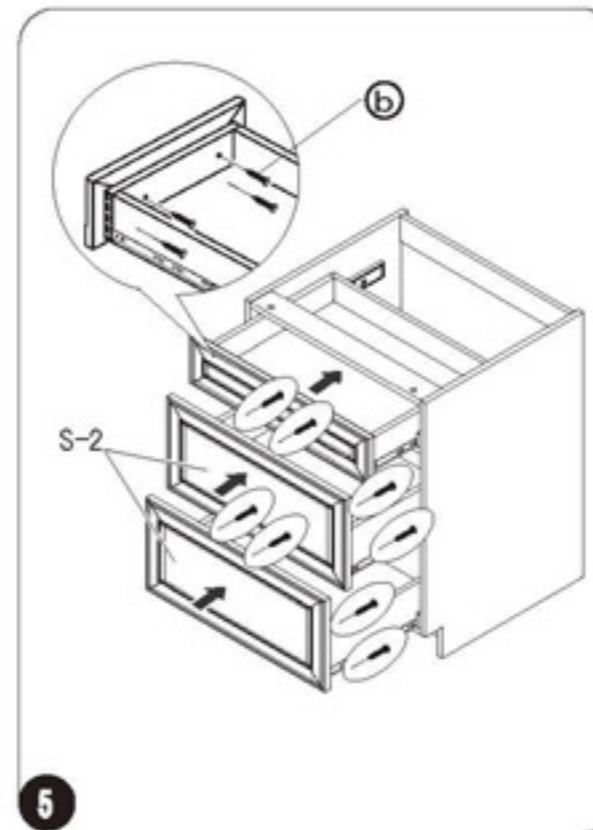
2



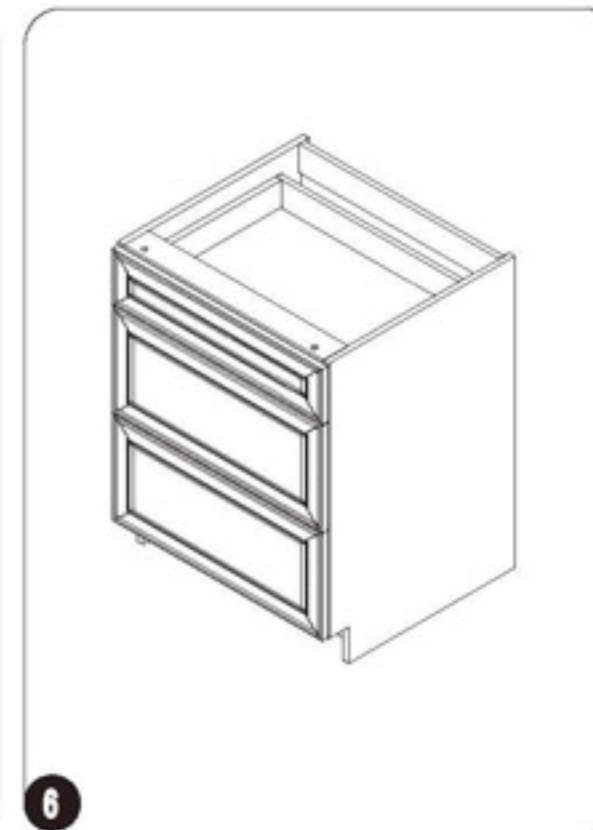
3



4



5



6